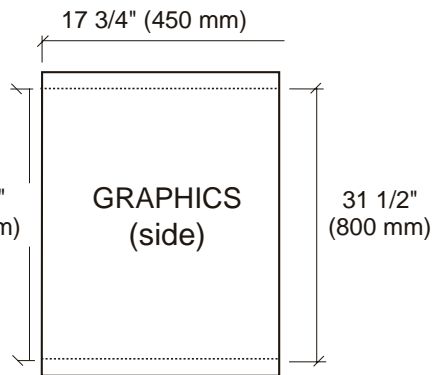
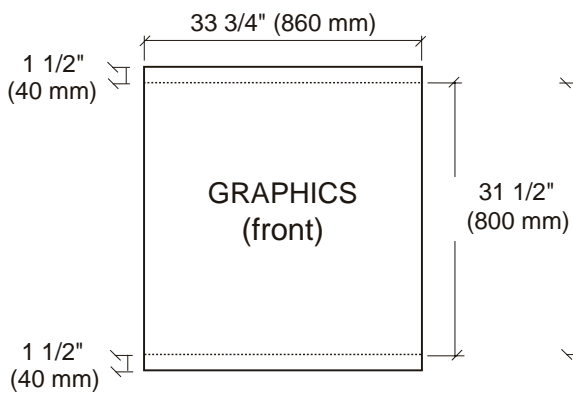
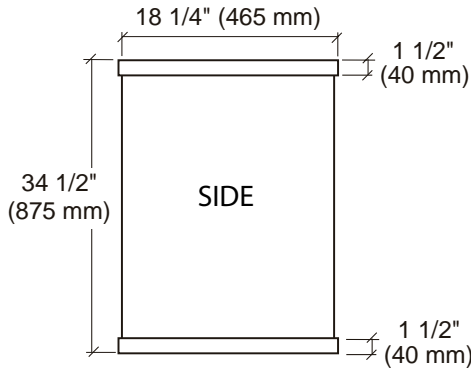
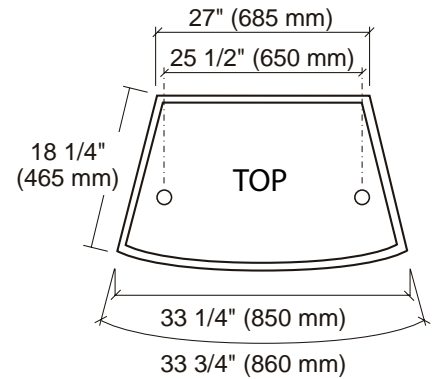
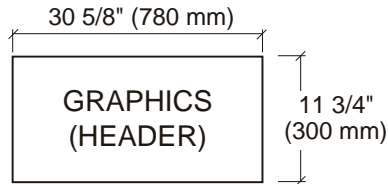
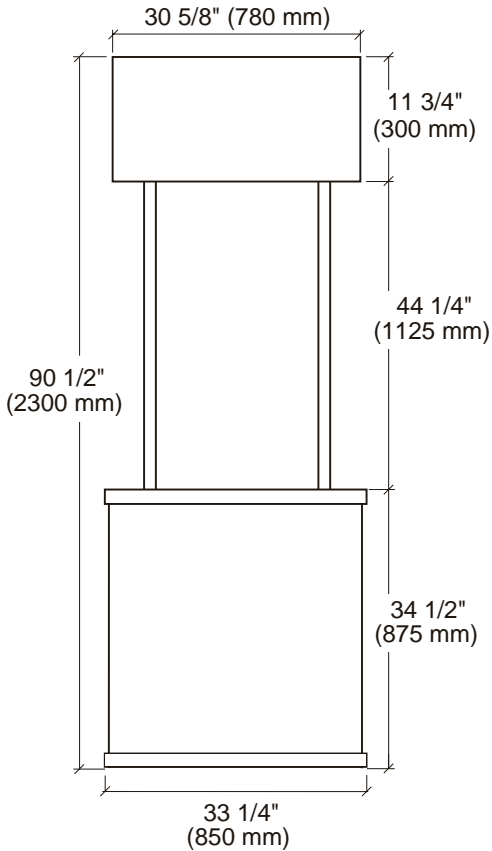


Promo Counter



Specifications:

Size: 33.25" w x 90.5" h x 20.75" d
(850 w x 2300 h x 530 d, mm)
Weight: 20 lbs. (9 kg)
Base material: Polypropylene and polystyrene
Packaging: Nylon carrying bag

Send artwork via
CD-ROM, DVD, FTP

Ftp site information

ftp://209.172.40.10/
username: systems
password: displays

Please contact sales@pop-displays.com or call 1-888-POP-IT-UP when transferring files to ftp site

Graphic specifications

Use CMYK color profile.

Tiff files without layers are preferred. High-resolution .pdf, .ai or .psd files are also accepted.

Supply all fonts or convert text to outlines if supplying .ai or .psd files.

Artwork should be a minimum of 100 dpi at 100% print size.

If color matching is critical, please provide us with specific PMS colors or a spot color. Additional color matching charges may apply.

Color matching can not be guaranteed.